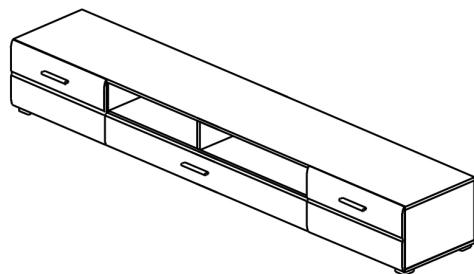
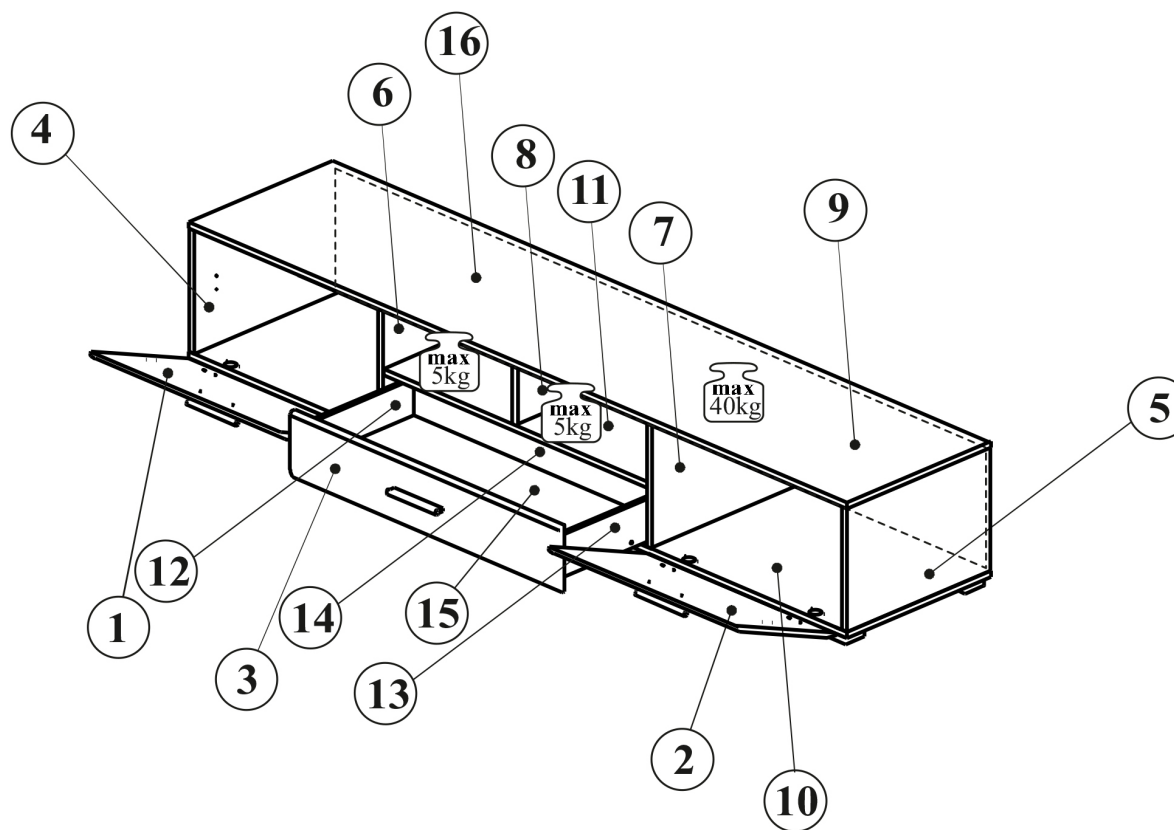


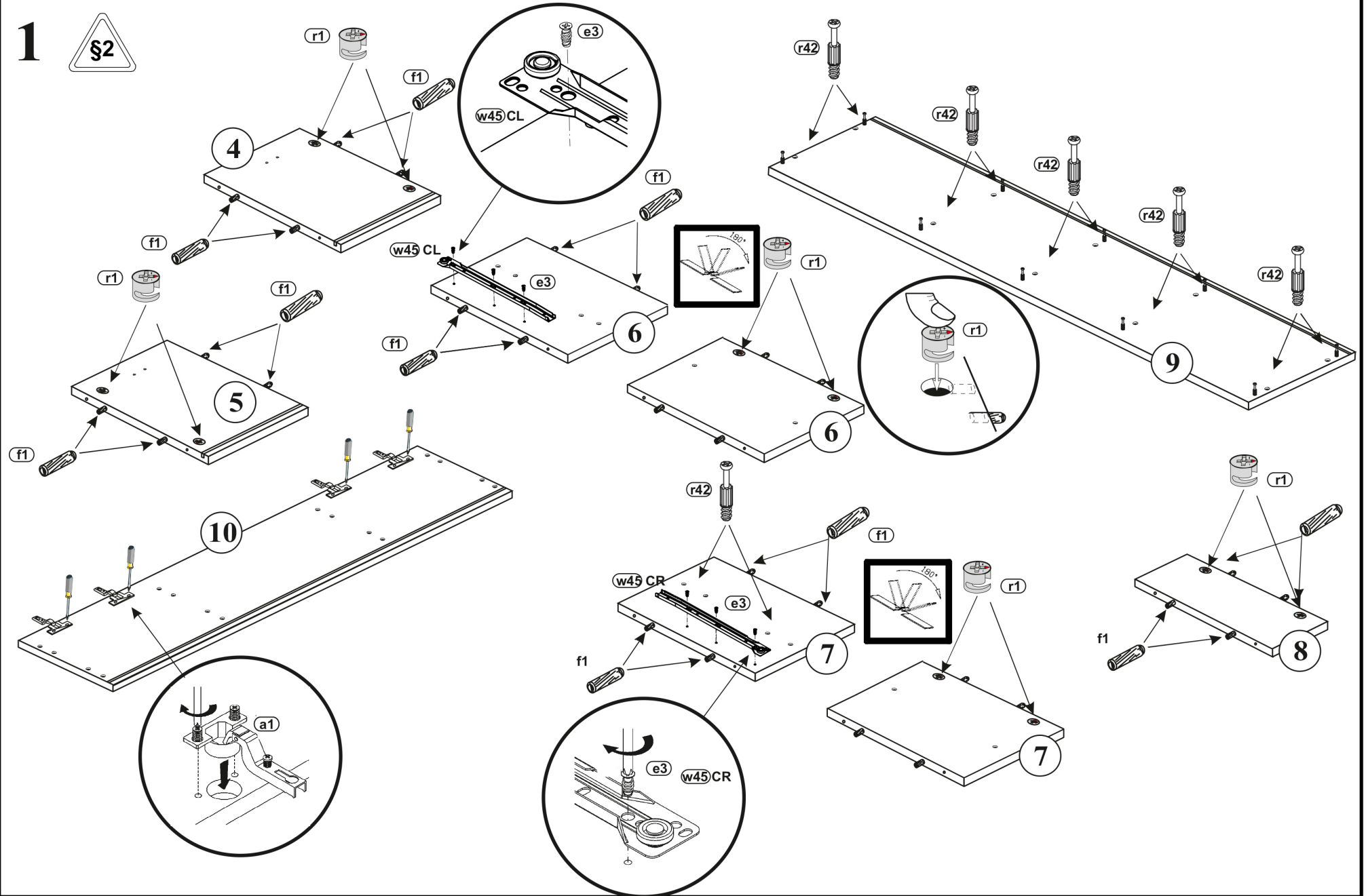
2x 1x		cm 0 1 2 3 4 5 6 7 8 9 10										4x <small>K16</small>		4x		8x <small>K0</small>									
8x <small>D5</small>		7x <small>EX</small>		16x <small>EX</small>		8x <small>EX</small>		32x <small>EX</small>		2x <small>EX</small>		6x <small>EX</small>		4x <small>EX</small>		4x <small>EX</small>		4x <small>EX</small>		48x <small>EX</small>		4x <small>EX</small>		8x <small>EX</small>	
2x <small>EX</small>		10x <small>EX</small>		30x <small>EX</small>		2x <small>EX</small>		2x <small>EX</small>		2x <small>EX</small>		2x <small>EX</small>		12x <small>EX</small>		2x <small>EX</small>		14x <small>EX</small>		4x <small>EX</small>		28x <small>EX</small>		2x <small>EX</small>	
22x <small>EX</small>		6x <small>EX</small>		16x <small>EX</small>		4x <small>EX</small>		26x <small>EX</small>		26x <small>EX</small>		21x <small>EX</small>		1x <small>EX</small>		1x <small>EX</small>		1x <small>EX</small>		1x <small>EX</small>		1x <small>EX</small>		1x <small>EX</small>	



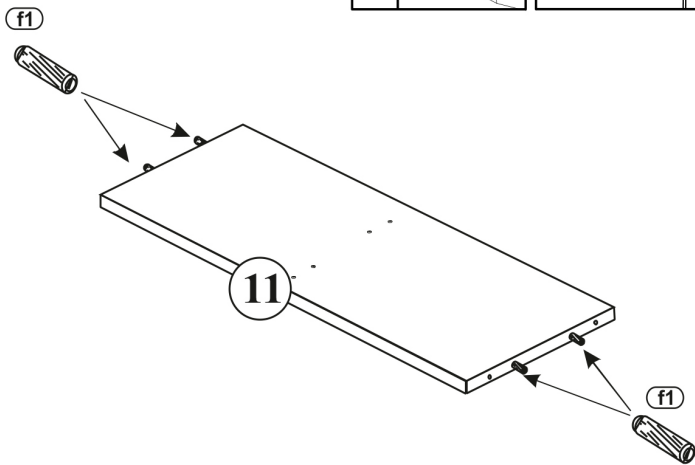
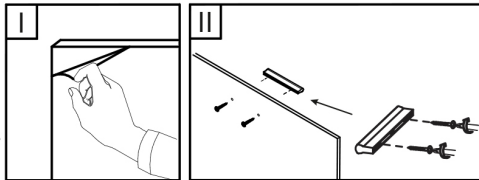
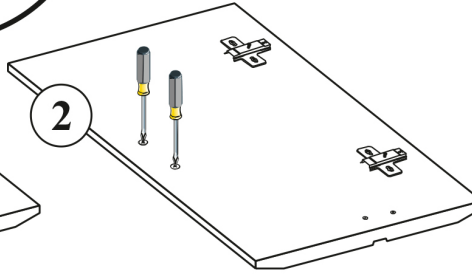
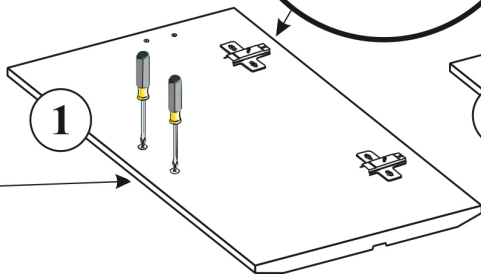
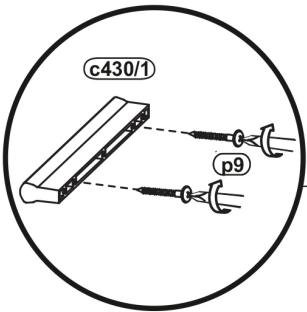
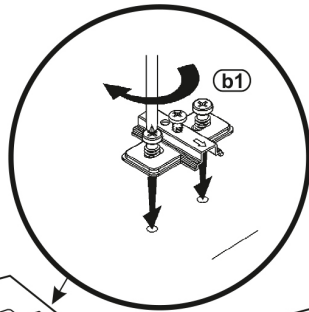
A	B	C (mm)		D
1	N25-001	498	311	1/5
2	N25-002	498	311	1/5
3	N25-003	991	156	1/5
4	N37-102	285	384	1/5
5	N37-103	285	384	1/5
6	N37-104	285	364	1/5
7	N37-105	285	364	1/5
8	N37-106	135	364	1/5
9	N37-203	2000	384	1/5
10	N37-204	2000	384	1/5
11	N37-302	979	364	1/5
12	N37-501	350	90	1/5
13	N37-502	350	90	1/5
14	N25-503	922	90	1/5
15	N37-902	932	350	1/5
16	N37-903	1977	295	1/5



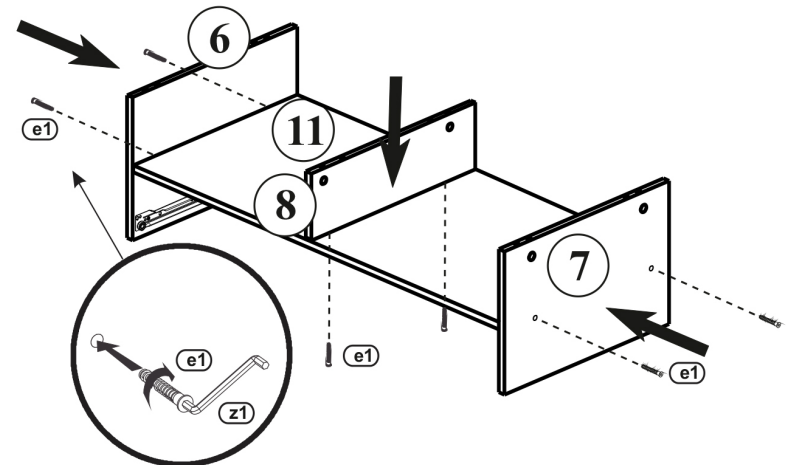
1



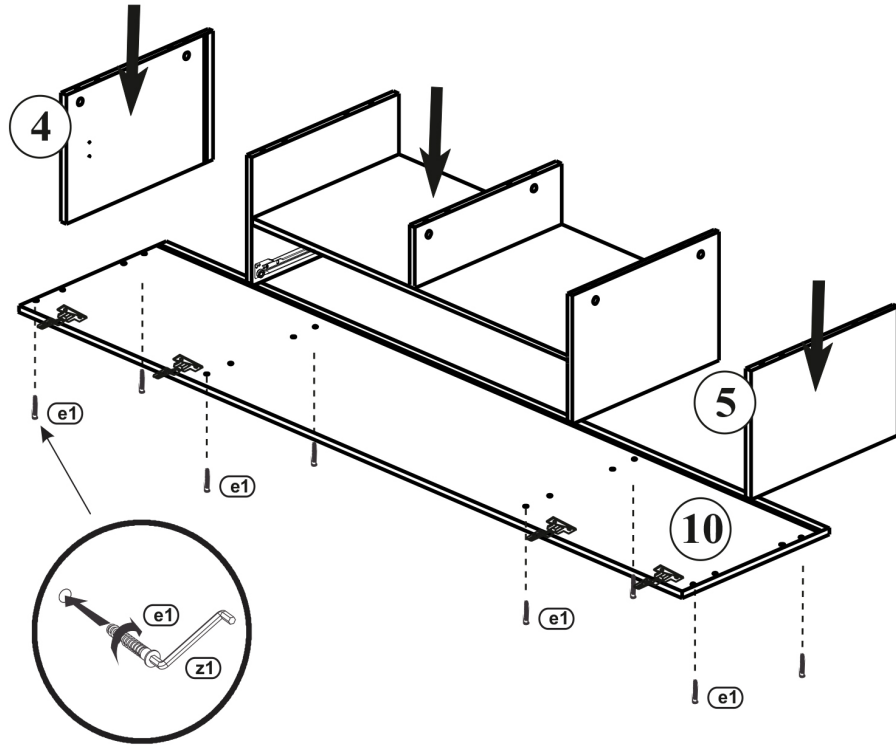
2



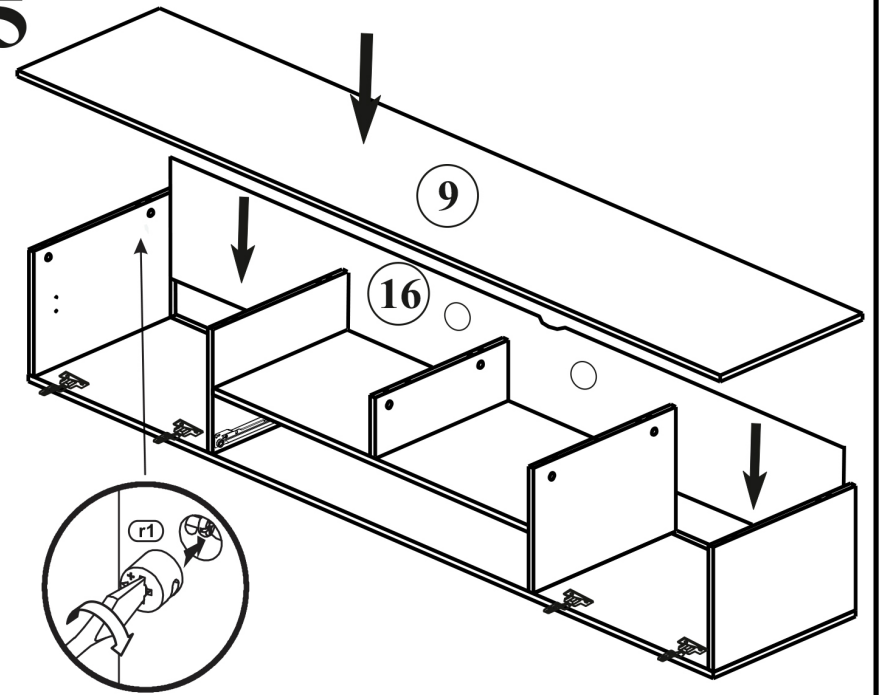
3



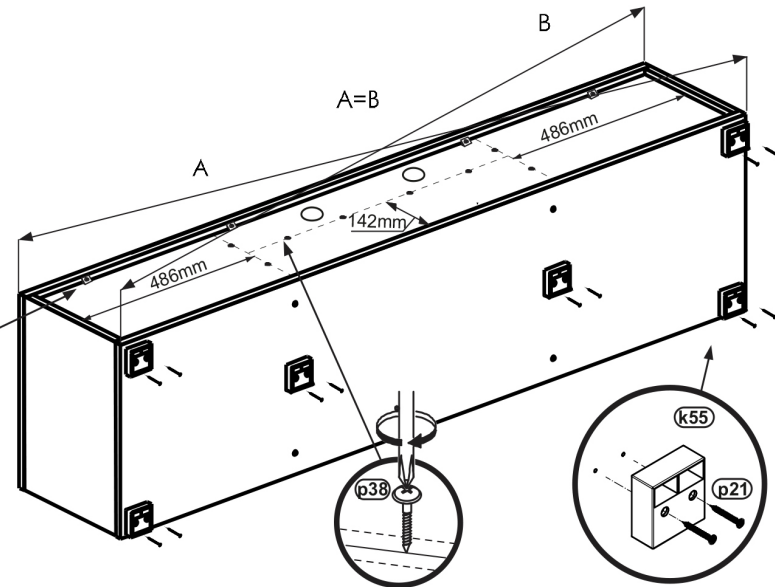
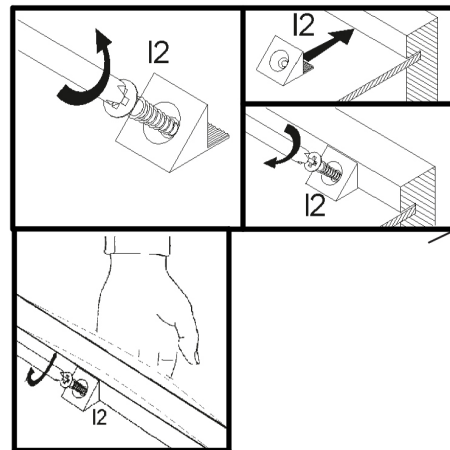
4



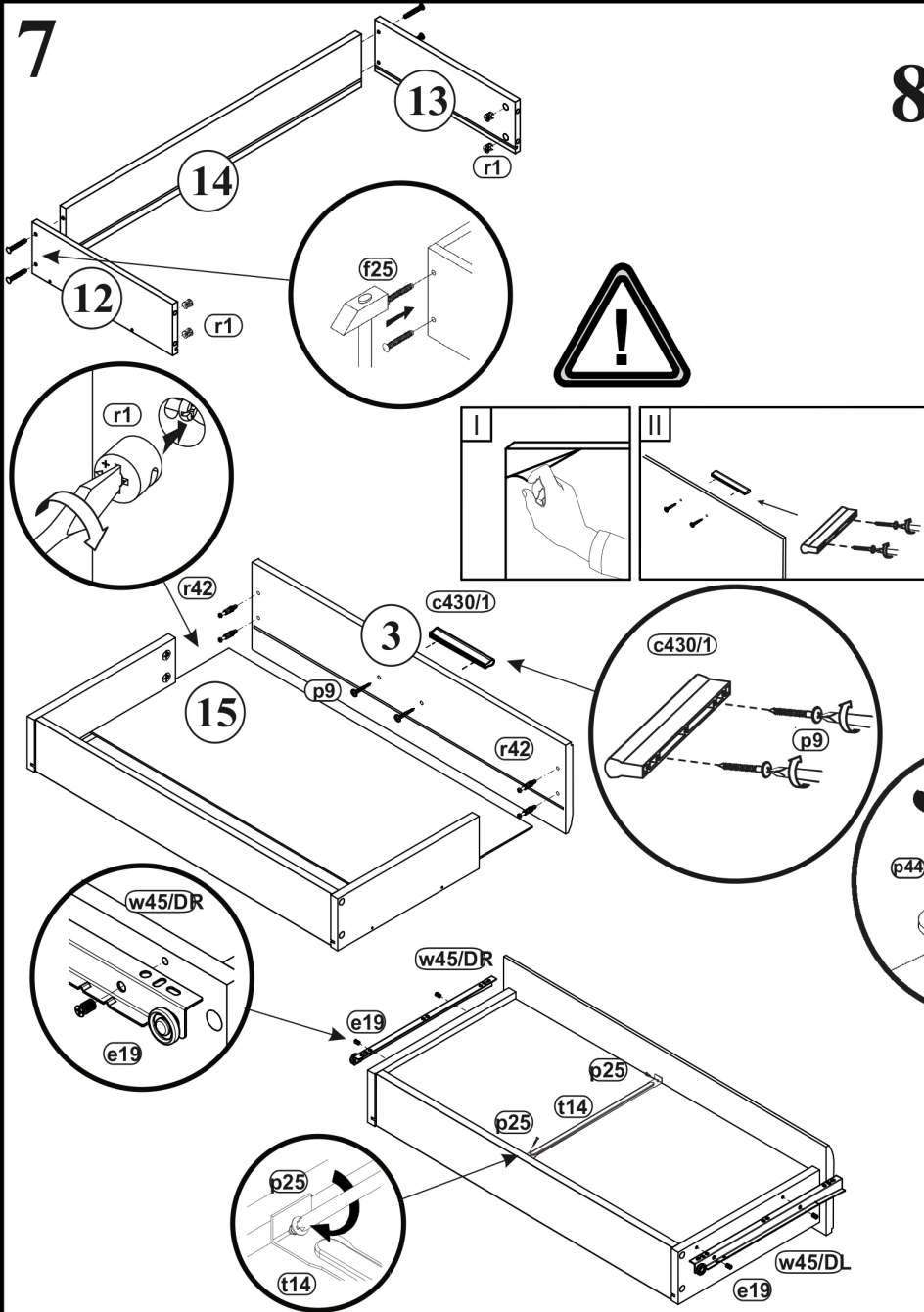
5



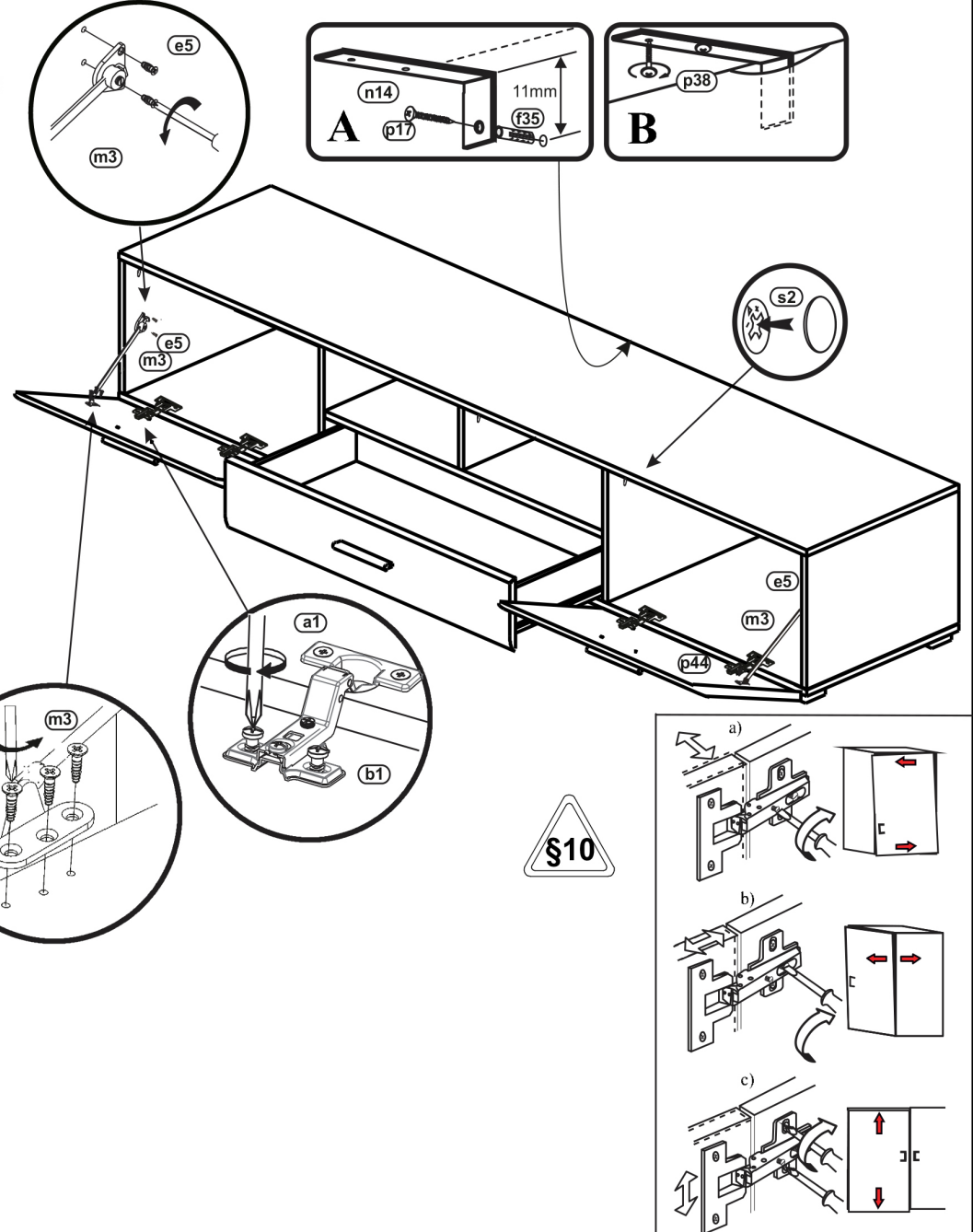
6



7

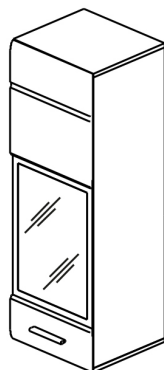
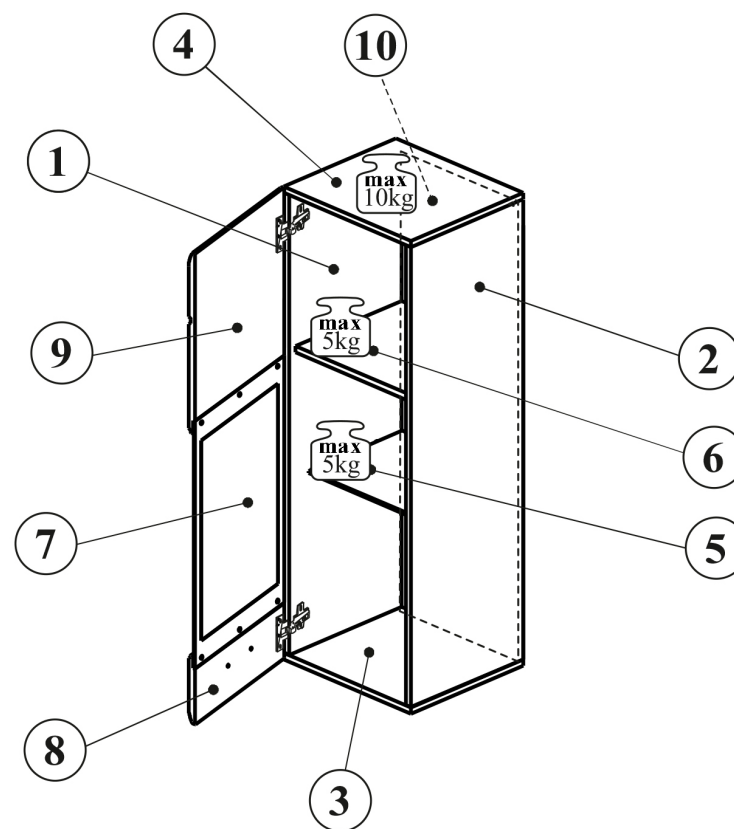


8

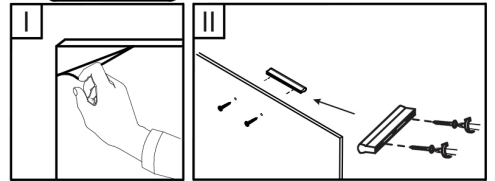
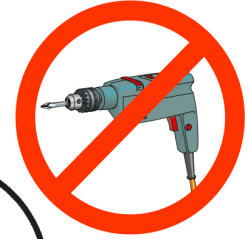
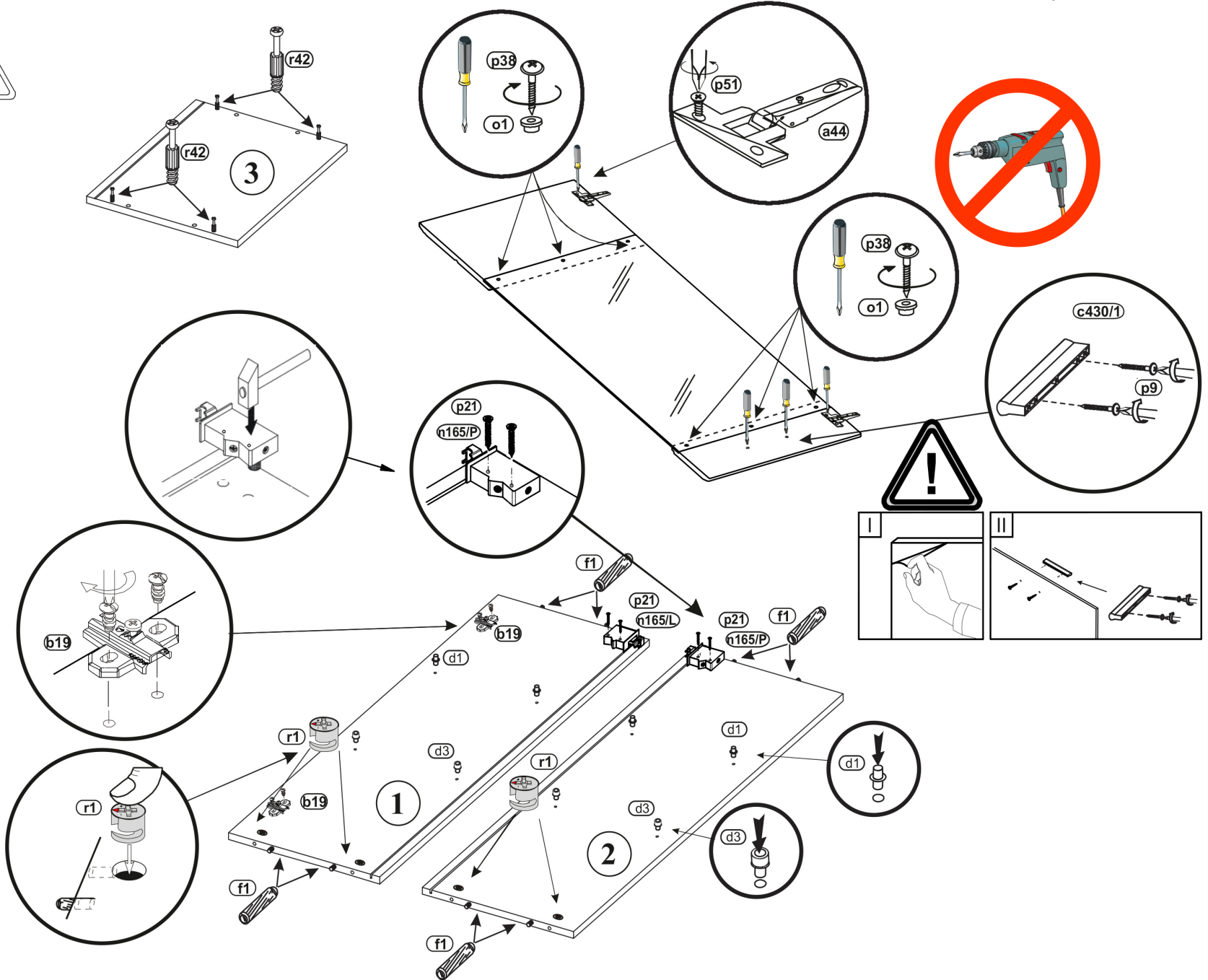




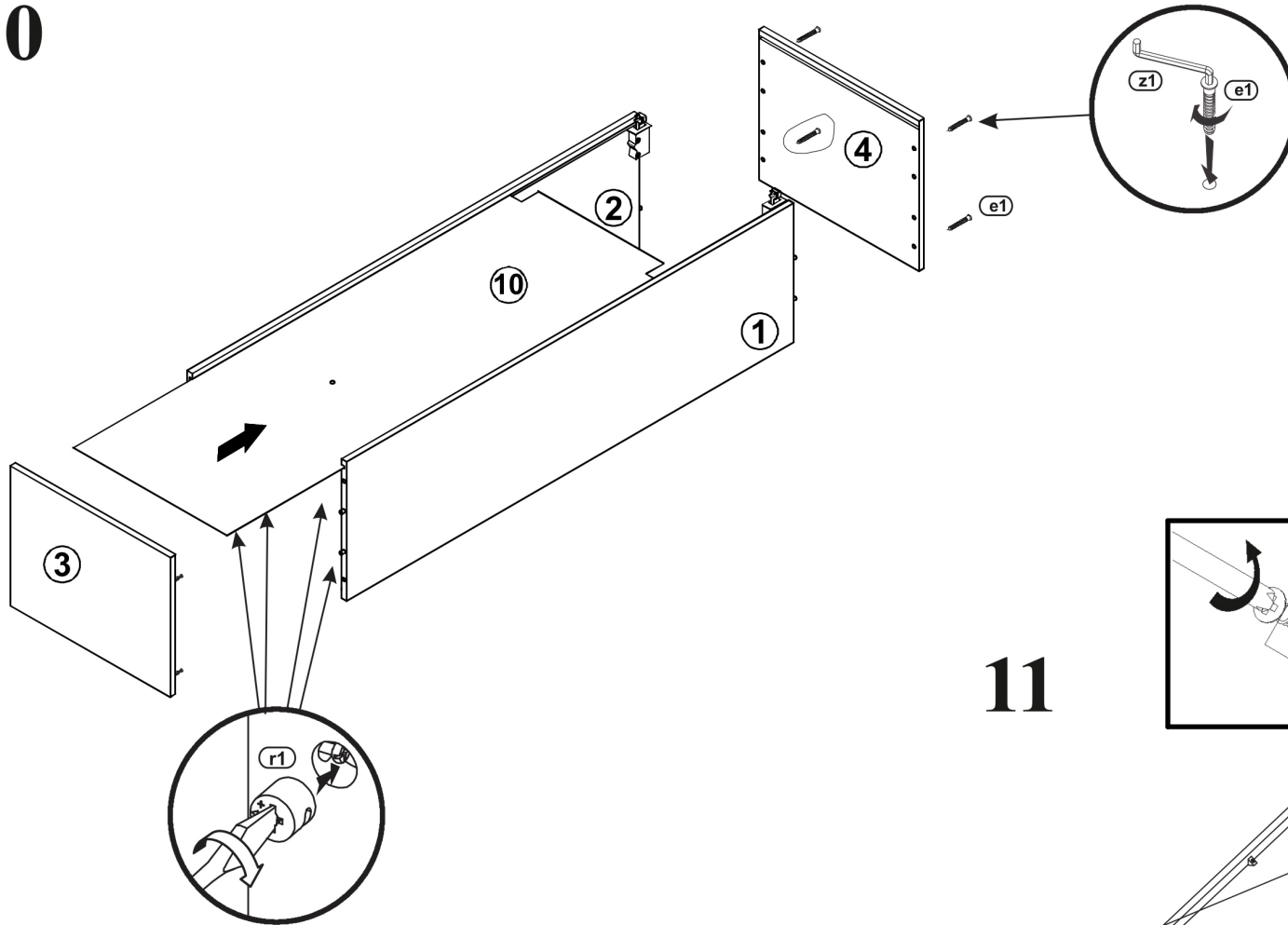
A	B	C (mm)		D
1	N20-107	1068	337	3/5
2	N20-108	1068	337	3/5
3	N20-204	380	337	3/5
4	N20-205	380	337	3/5
5	N25-504	346	292	3/5
6	N20-303	347	312	3/5
7	N20-504	556	374	3/5
8	N20-701	375	156	3/5
9	N20-702	375	442	3/5
10	N20-904	1078	357	3/5



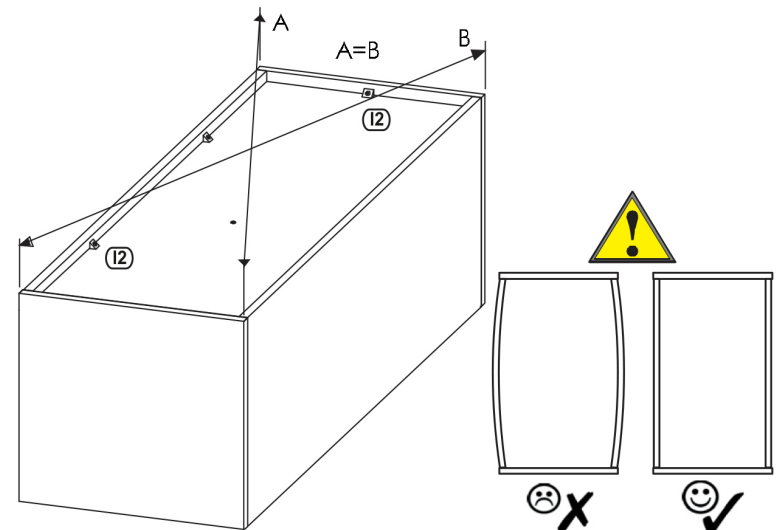
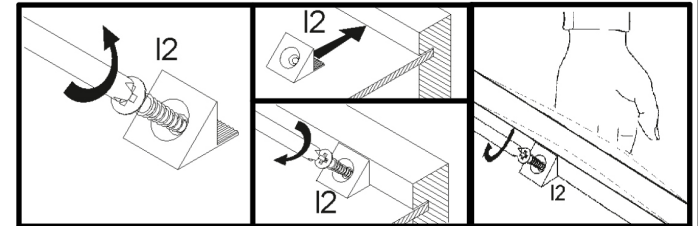
9



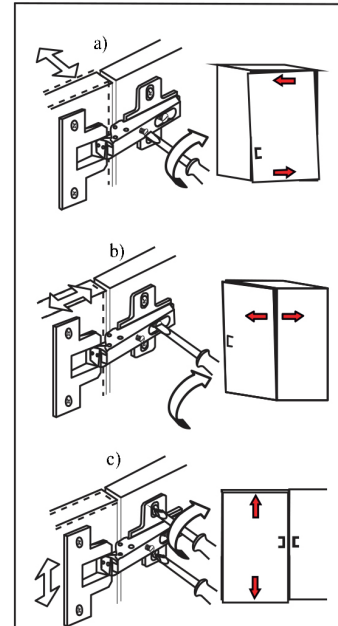
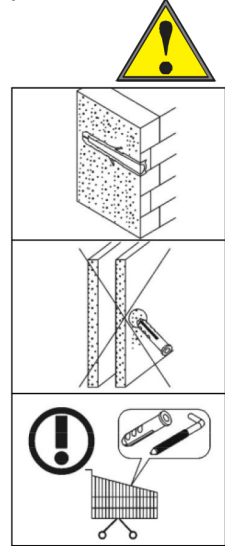
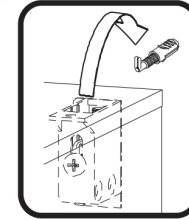
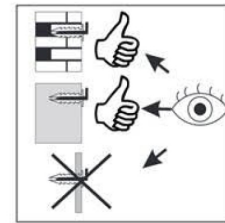
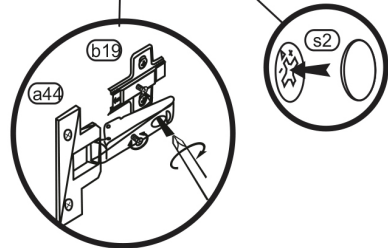
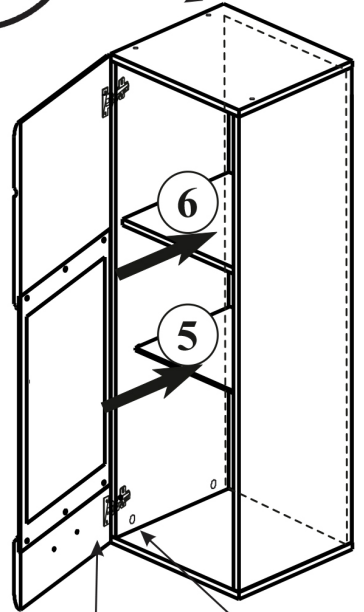
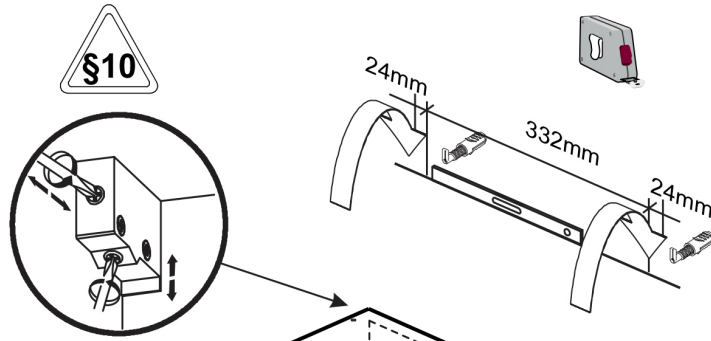
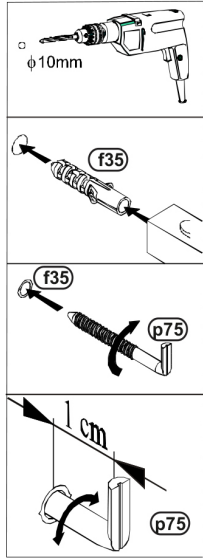
10



11

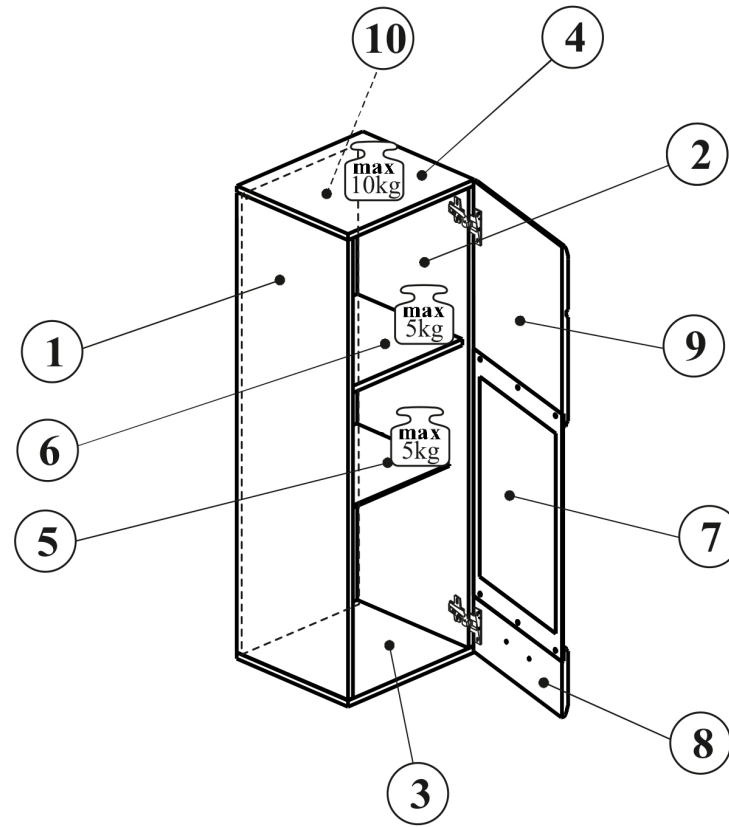
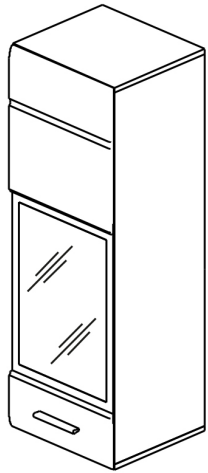


12

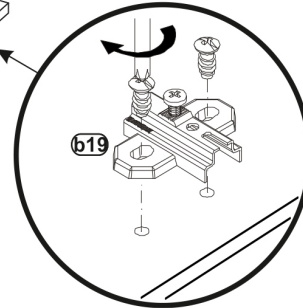
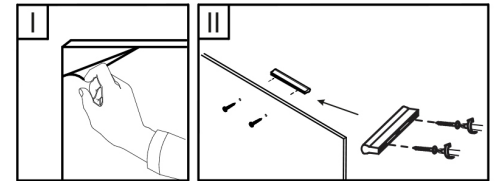
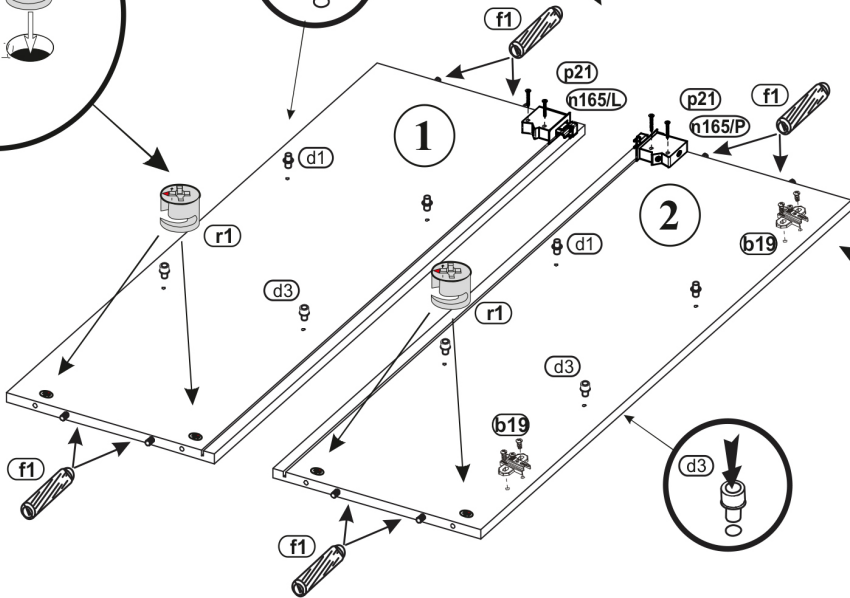
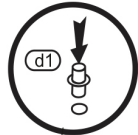
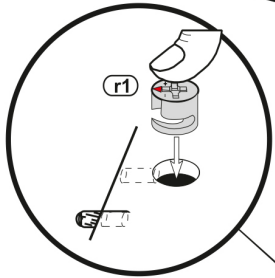
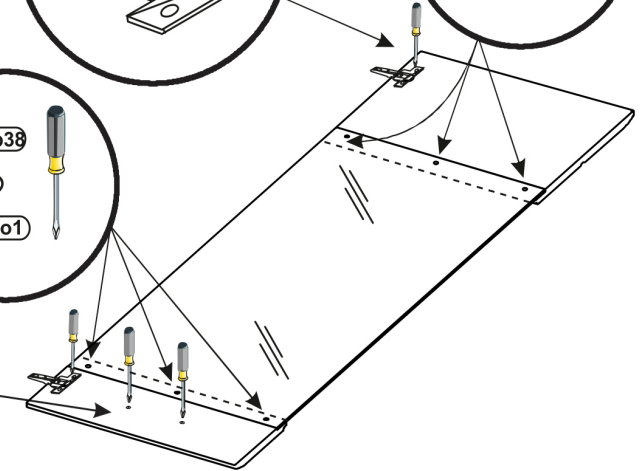
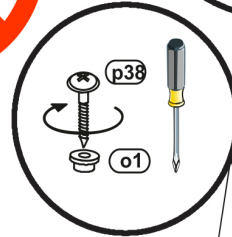
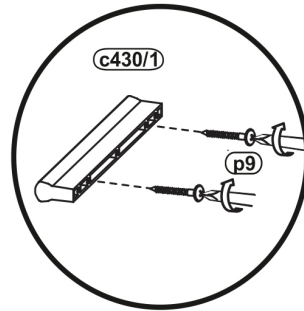
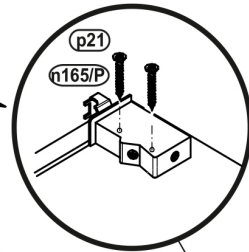
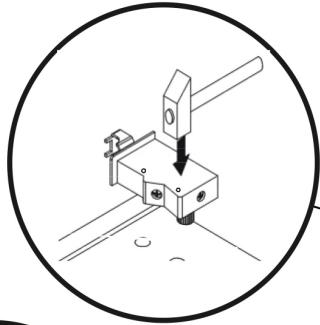
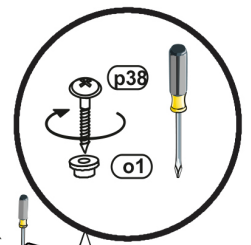
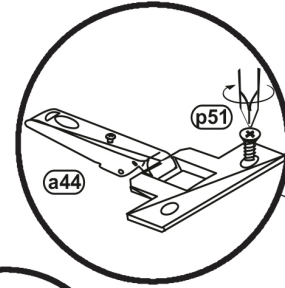
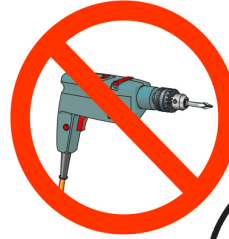
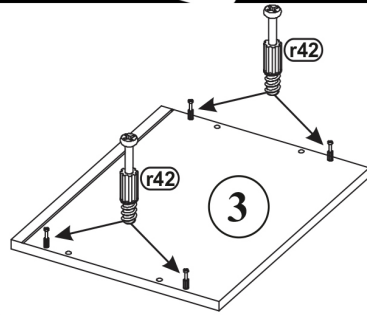




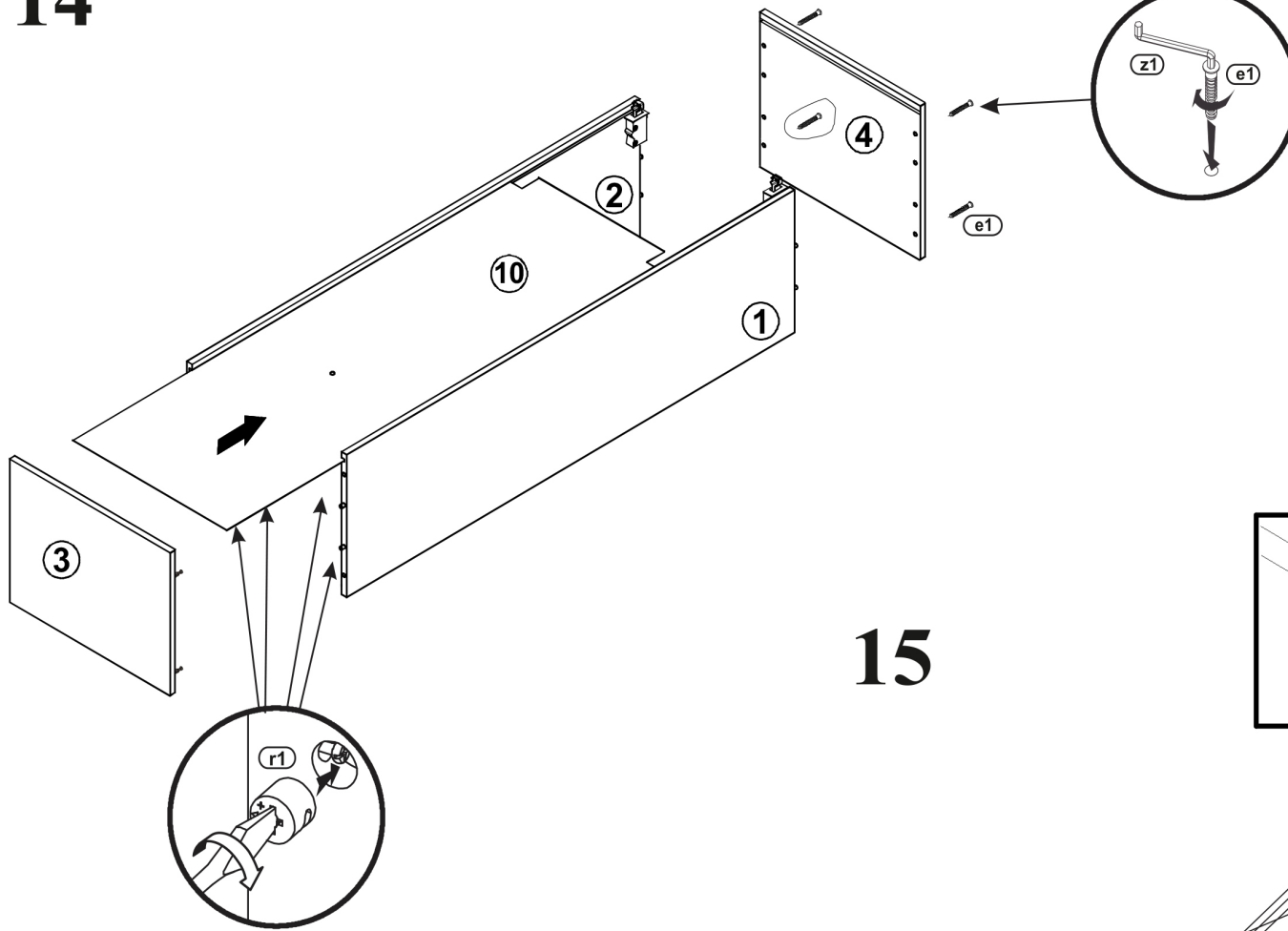
A	B	C (mm)		D
1	N20-110	1068	337	4/5
2	N20-109	1068	337	4/5
3	N20-204	380	337	4/5
4	N20-205	380	337	4/5
5	N25-504	346	292	4/5
6	N20-303	347	312	4/5
7	N20-504	556	374	4/5
8	N20-704	375	156	4/5
9	N20-703	375	442	4/5
10	N20-904	1078	357	4/5



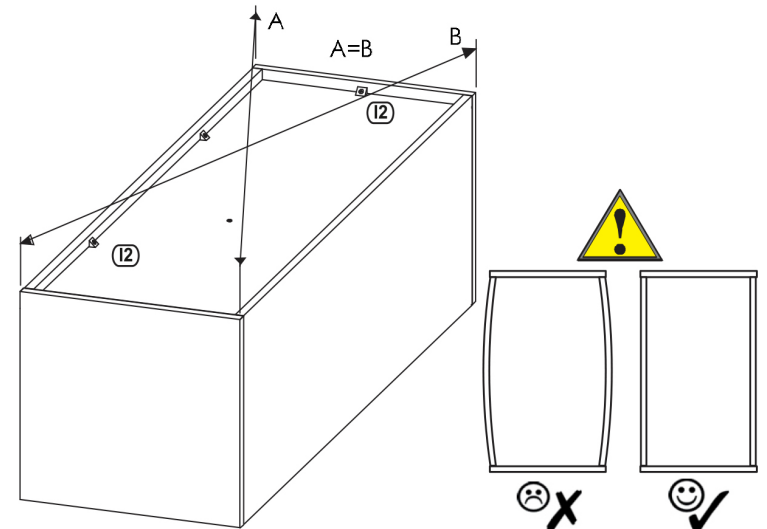
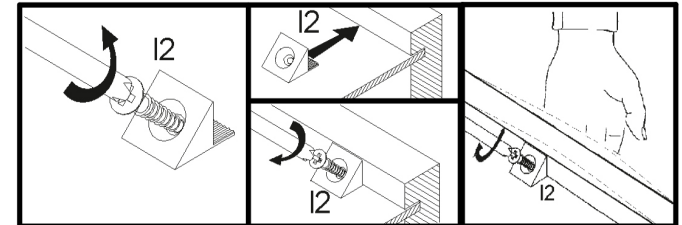
13



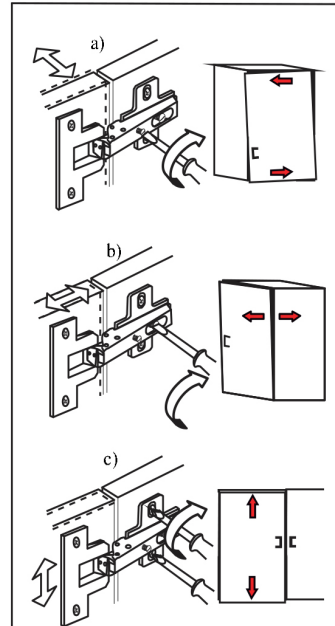
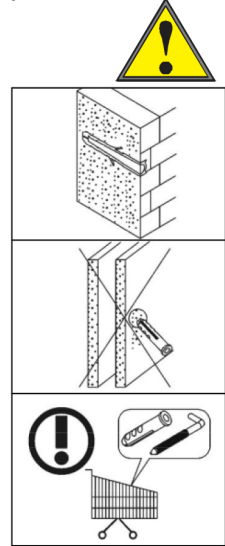
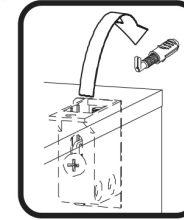
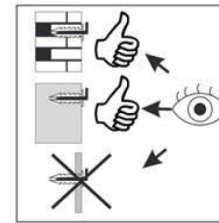
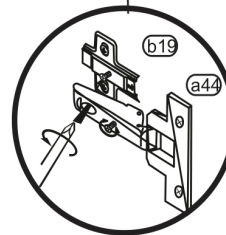
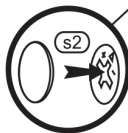
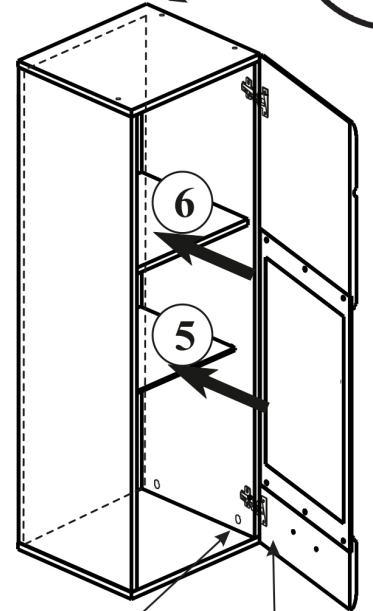
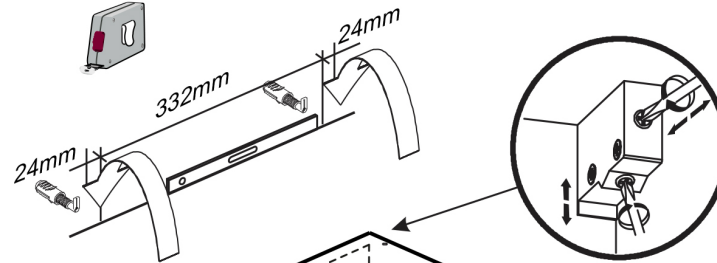
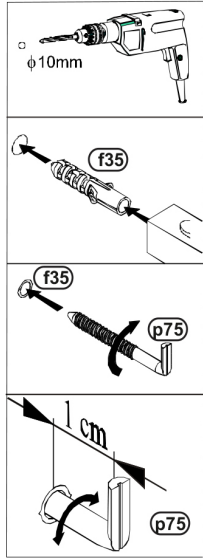
14



15

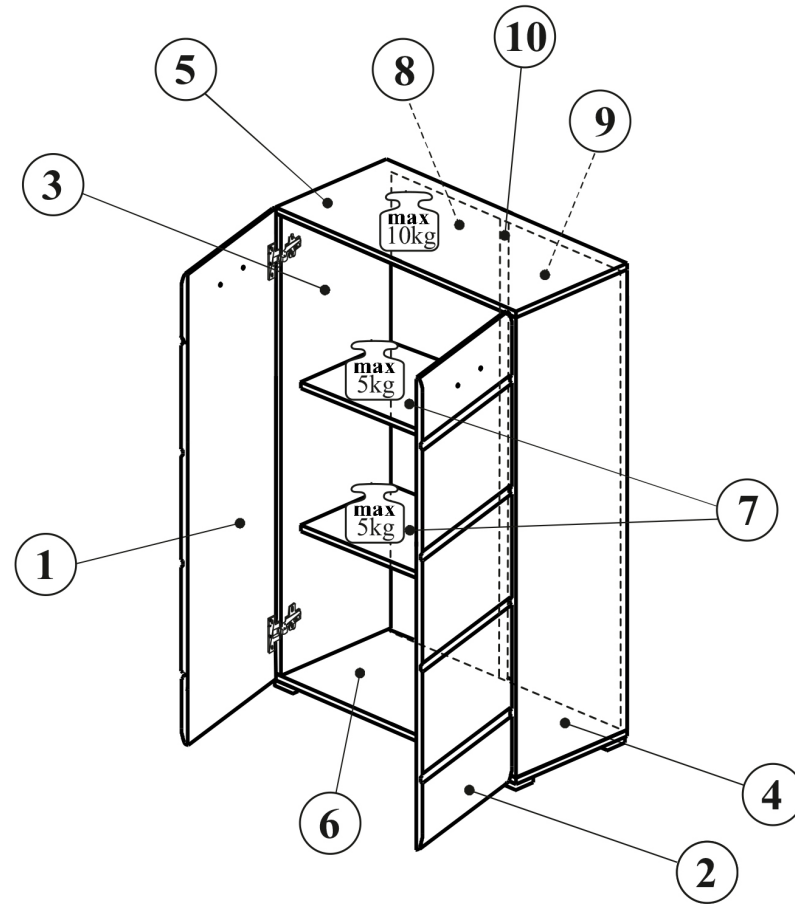
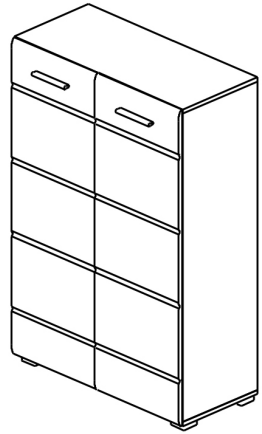


16



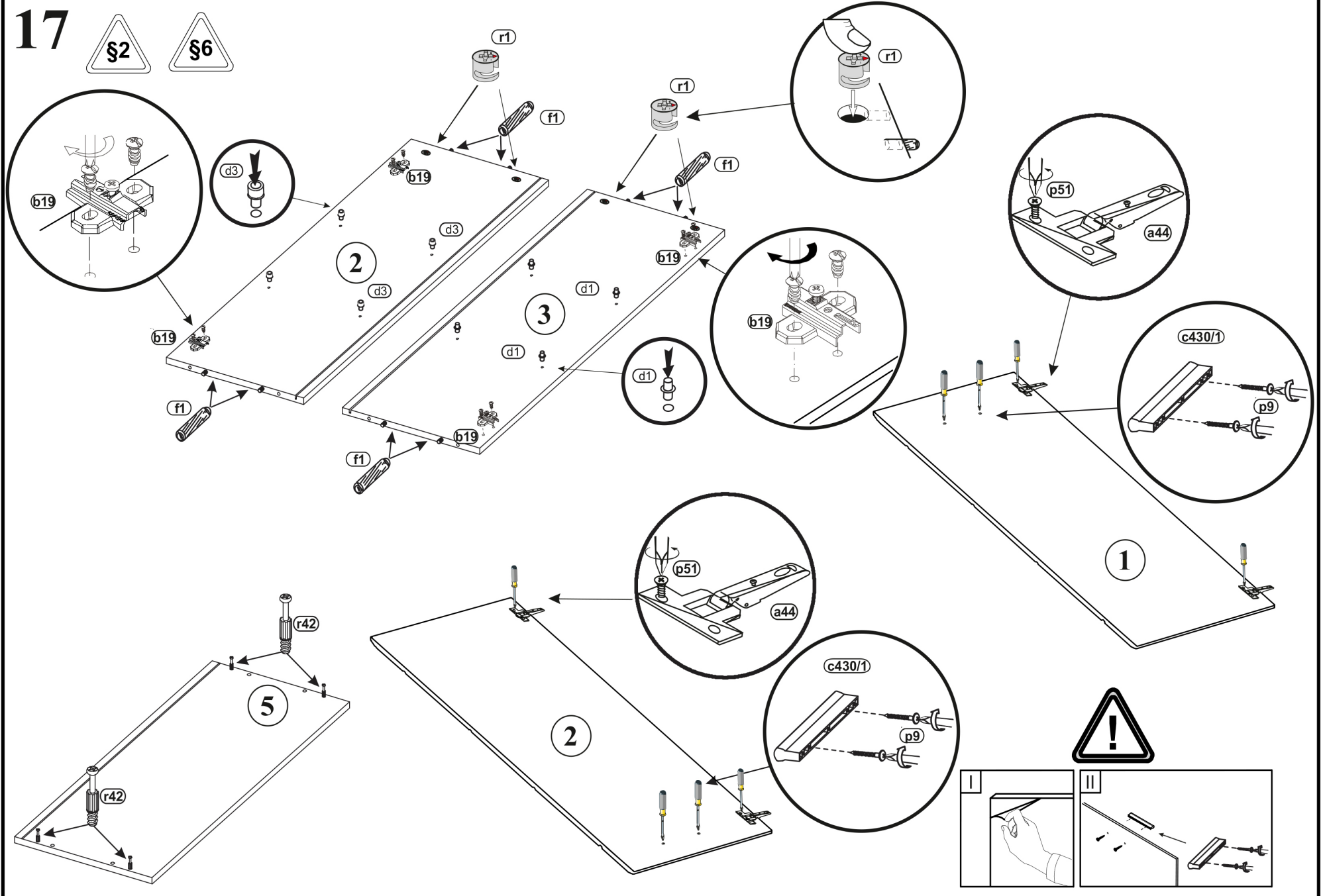


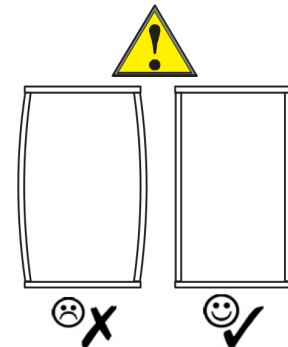
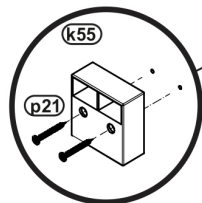
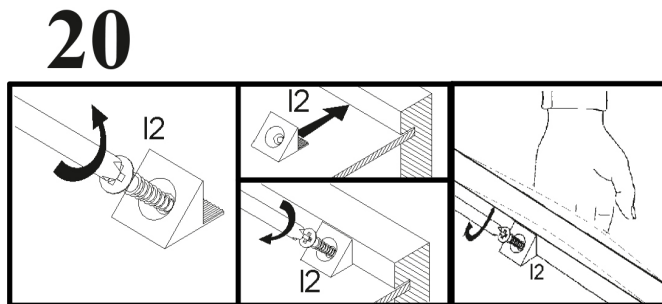
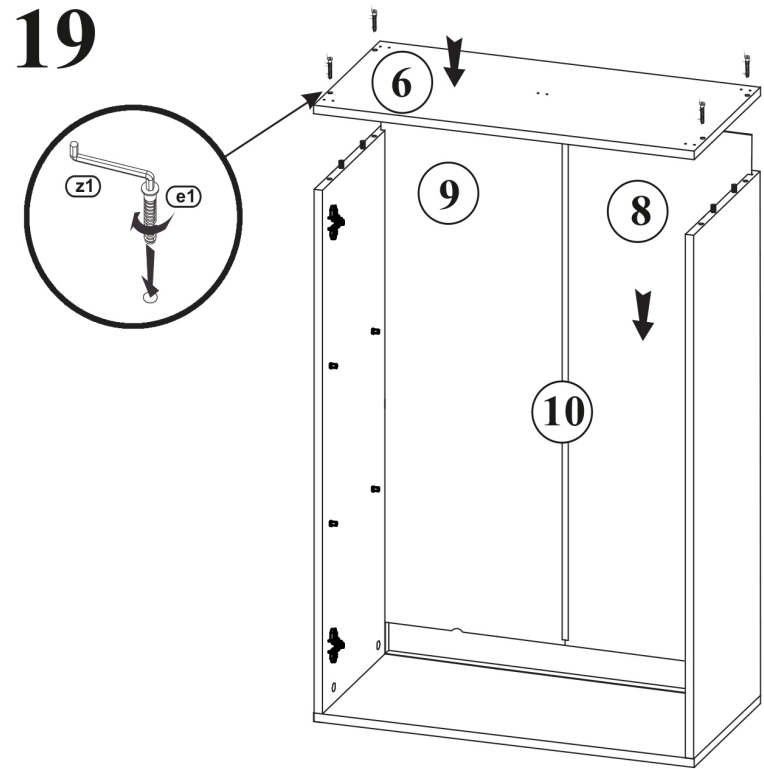
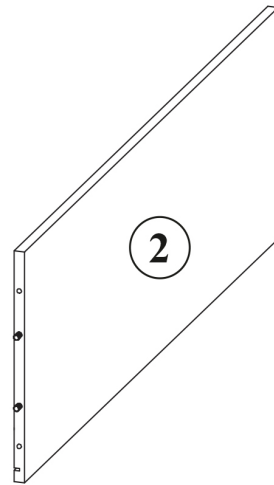
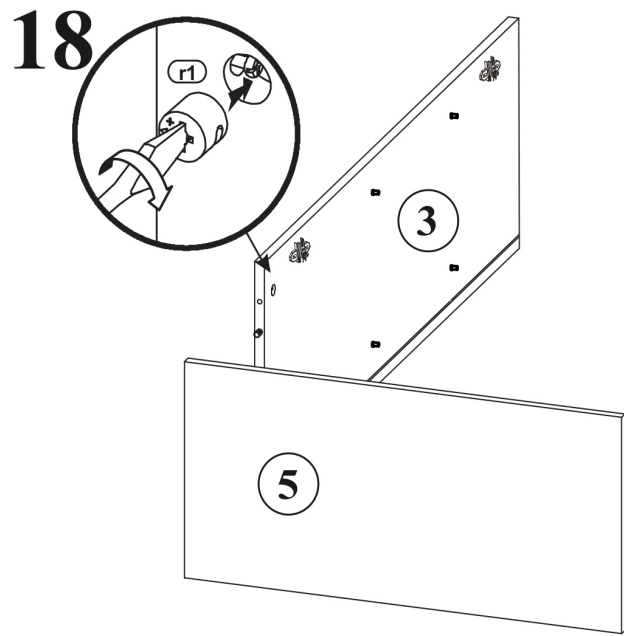
A	B	C (mm)		D
1	N37-001	1094	373	2/5
2	N37-002	1094	373	2/5
3	N37-101	1068	337	2/5
4	N37-107	1068	337	2/5
5	N37-201	756	337	2/5
6	N37-202	756	337	2/5
7	N37-301	723	312	2/5
8	N37-901	1078	366	2/5
9	N25-905	1078	366	2/5
10	Lh-1060	1060	14	2/5



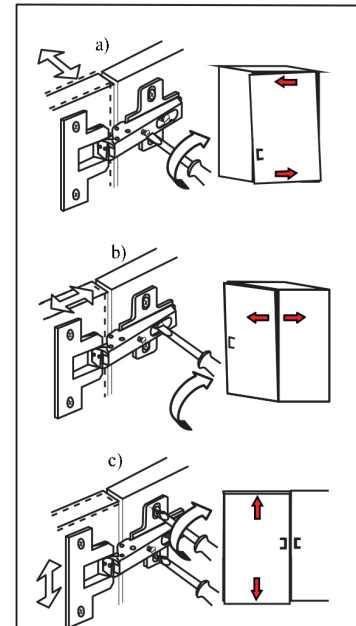
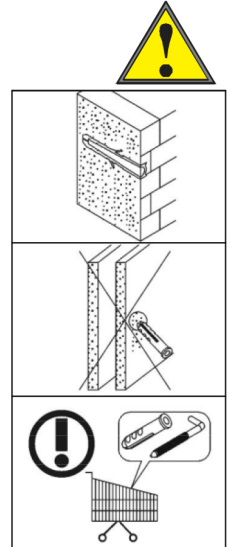
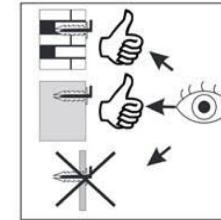
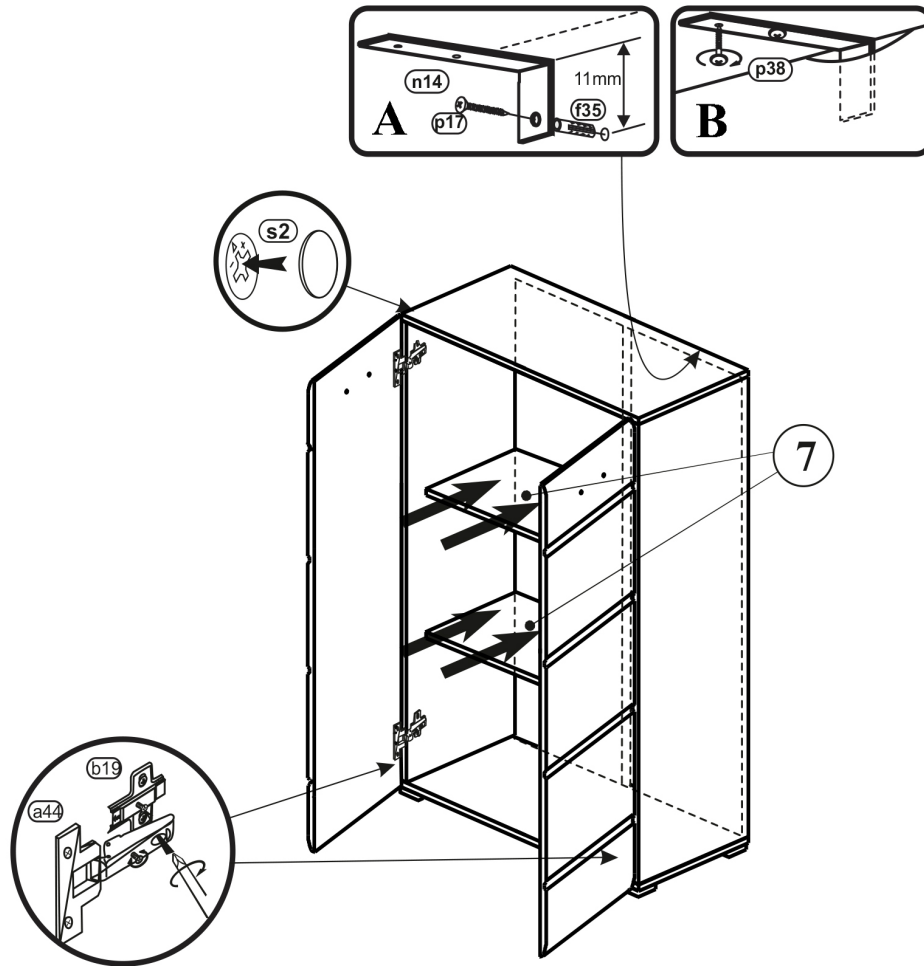
IV

17





21

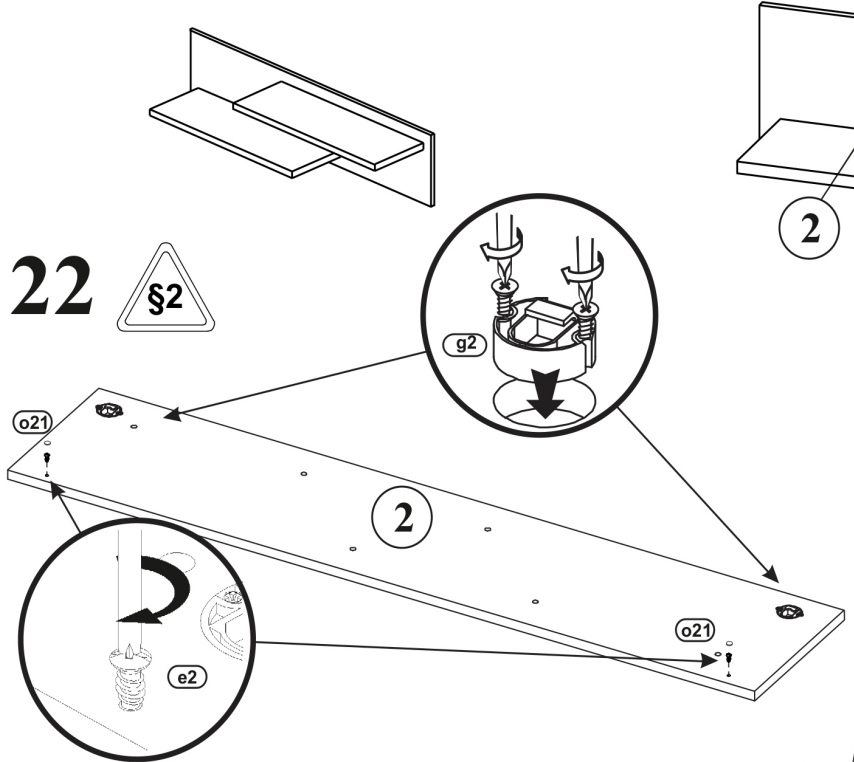


§1

A	B	C (mm)	D
1	N20-304	650 219	5/5
2	N37-503	1100 250	5/5

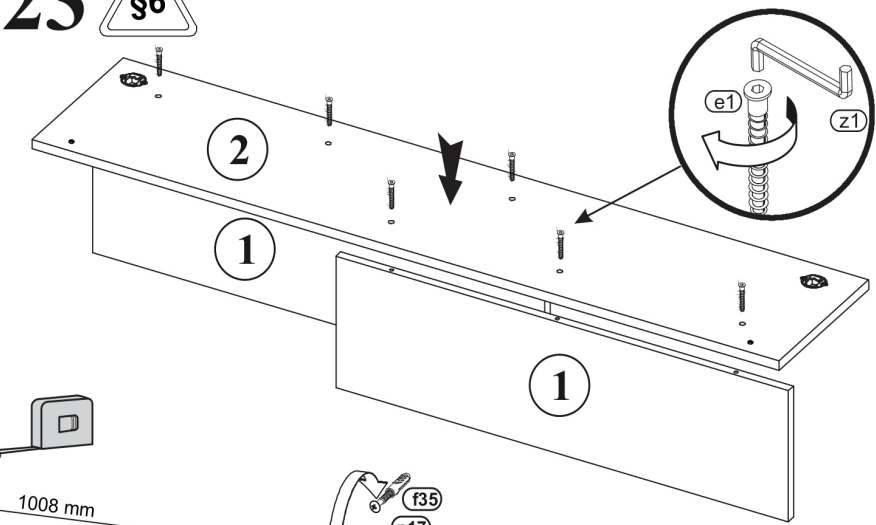
22

§2

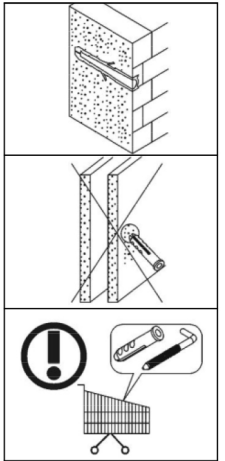
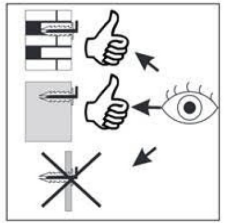


23

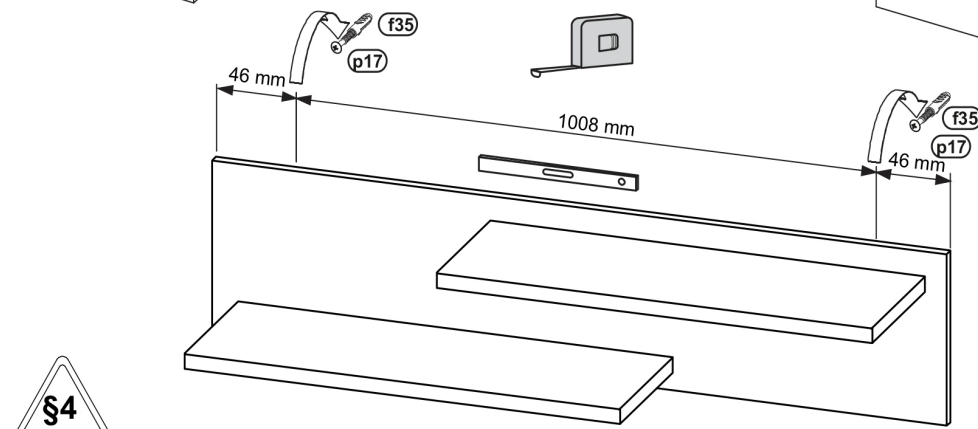
§6



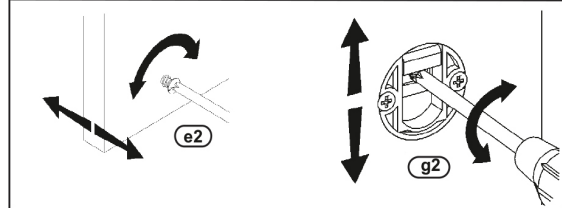
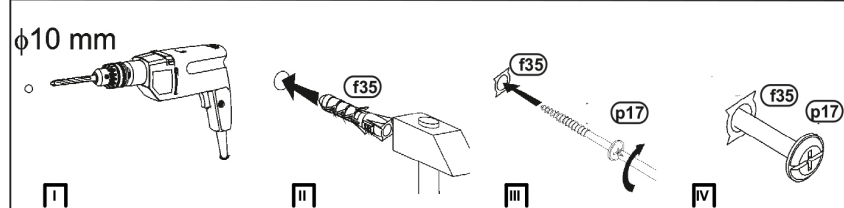
24



§4



§10



25

